

### Sales - United States

Flynn and Me LLC  
 305 Dalehurst Dr.  
 Henderson, NV 89074  
 702-540-6631  
 info@s-cut.us.com  
 www.s-cut.us.com

#### WARNING!

The cutting edges of the circular blade and the extendable knife (06-601 only) are very sharp and must be handled with extreme care.

Never use the tool if you are uncertain of how it is to be used. Store and use out of reach of children.



### Intended Use

The S-CUT cutting tool is designed for use on patients in rescue situations as well as emergency procedures in hospitals. It is a fast way to remove the patient's clothes or other items to expose injuries without needing to change the patient's position which could inflict further injury or unnecessary pain.

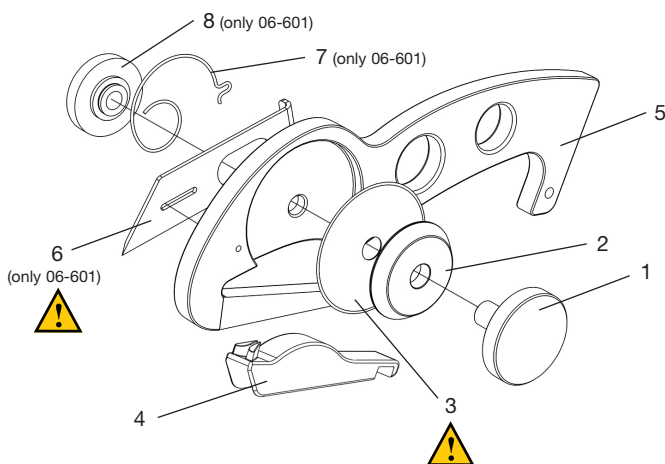
The material is cut by pulling the S-CUT and requires only a small amount of force to cut the most common materials in clothes. The cutting action is initiated at a fabric edge.

**For the S-CUT 06-601 equipped with the slitting function, the following may apply:** Normally, the cutting would be initiated at the edge of the garment but by using the extendable knife, a small slit can be cut in order to reduce the need for an edge.

### Tool Parts (fig. 1)

The tool includes the following parts:

- 1) Knurled screw made of stainless steel
- 2) Washer made of anodized aluminum
- 3) Cutting blade made of low corrosion steel.
- 4) Support made of POM plastic
- 5) Handle made of anodized aluminum.
- 6) Extendable knife made of low corrosion steel (06-601)
- 7) Spring made of stainless steel (06-601)
- 8) Knurled nut made of anodized aluminum (06-601)



Weight:	.170 kg	6.0 oz.
Length:	178 mm	7.0 in.
Width:	24 mm	.94 in.

Fig. 1  
Tool parts

### User Instructions

1. Make sure the immediate area is free from obstacles such as hoses, electrical wires or other equipment which may get damaged or affect the cutting procedure.
2. Make sure that the extendable knife (6) will automatically retract to its safe position before cutting. **Applies to Model 06-601 only.**
3. Initiate the cutting procedure at an edge and cut with a pulling action. A smooth, continuous cut should be made from the patients head end and downward.
4. As an alternative method to section 3, extend the knife by pressing at its rear end and then cut a slit in the material. Make sure that the extendable knife (6) is automatically retracted before proceeding with the normal cutting procedure. **Applies to Model 06-601 only.**
5. The circular cutting blade (3) can be rotated by first loosening the knurled screw (1) approximately 1/4 turn. **Do not touch the edge of the blade while rotating - it is very sharp!** Fully tighten the knurled screw (1).

**NOTE:** For the version with the slitting function, loosen the knurled nut (8) slightly before loosening the knurled screw (1) allowing the blade to rotate. When finished, tighten the knurled nut (8) after tightening the knurled screw.

**Rotate the circular cutting blade (3) regularly** in order to make sure the cutting edge will be sharp prior to the next cutting. Replace the circular cutting blade (3) when excessive effort is needed for cutting, if the blade gets damaged, or when it has been rotated one full turn. The current replacement blades have sectors clearly marked for ease of adjustment.

6. In order to initiate a cut at a heavy seam, use the area of the blade shown in fig. 2.

### Removal of the Extendable Knife

1. Loosen the knurled nut (8).
2. Remove the spring (7) and the extendable knife (6).  
**Do not touch the edge of the blade - it is very sharp!**

### Removal of the Circular Blade

1. For Model 06-601; Begin by removing the extendable knife, as described above.
2. Remove the knurled screw (1).
3. Remove the washer (2).
4. Turn the tool upside down and let the circular blade (3) fall down by itself. If it is stuck, use the threaded part of the knurled screw (1) and press gently on the blade.  
**Do not touch the edge of the blade - it is very sharp!**
5. Remove the plastic support (4).

### Installation of the Circular Blade

1. Fit a new blade in to the handle (5).  
**Do not touch the edge of the blade - it is very sharp!**
2. Place the washer (2) on the blade.
3. Install the washer and the blade by using the knurled screw (1).
4. Slip the support (4) over the projecting arm (the hook). (fig. 3)
5. Mount the support by pressing it forward. The support will slide into place and a click will be heard when it is correctly installed.  
**Tip:** Use a tabletop to press the support. Example; Turn the tool with the support tip against the tabletop and press the entire tool downward until the click is heard. When mounting the support, a tight fit is normal if the tool is new or a new support is being fitted.

#### Note:

Always "Blade First" during the installation and removal procedure. Mount the blade prior to the plastic support and remove the blade before the plastic support is removed.

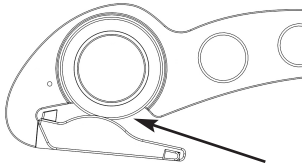


Fig. 2  
Cutting a heavy seam

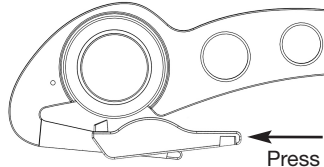


Fig. 3  
Installation of Plastic Support

### Installation of the Extendable Blade (Model 06-601)

1. Fit the extendable knife (6) on the back side of the handle (5). Make sure the guide pin is located in the knife's guide slot (fig. 4.2).  
**Do not touch the edge of the blade - it is very sharp!**
2. Tighten the knurled nut (8), finger tight only. Make sure the extendable knife (6) can be moved up and down easily.
3. Install the spring (7) by fitting its small eye into the rear slot of the extendable knife (fig. 4.1).
4. Pull and twist the large eye of the spring (7) in order to position it between the knurled nut (8) and the knife (fig 4.2).
5. Press the knife forward and make sure it automatically retracts to its safe position.

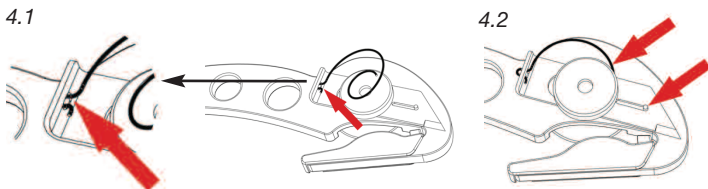


Fig. 4  
Spring Installation

### Cleaning

Disassemble the complete tool.

**Do not touch the edge of the blade - it is very sharp!**

Clean all parts mechanically (i.e. by using a brush or similar method) with a soap solution and water. Disinfect all parts with a 70% alcohol solution and air dry. Make it a practice to replace the plastic support regularly or when contaminated.

### Repair

This product has no customer repairable parts.

### Maintenance

Make sure to inspect the tool on a regular basis for cleanliness and damage. Prior to every use of the 06-601, make sure that the knife (6) automatically retracts to its safe position.

### Additional Information

Save this manual for future reference.

### CE-Marking

This product is CE-marked according to the directive for medical devices MDD93/42/EEC (LVFS 2003:11) class1.

US Patent # 7624507.

### Spare Parts

The circular cutting blade (3), plastic support (4), and the extendable knife (6) are recommended spare parts. All other parts can be ordered as replacement parts.

### Parts information

S-CUT complete tool assembly with slitting knife	06601-06601	
S-CUT complete tool assembly without slitting knife	07701-07701	
Handle	06601-07003	1 pcs
Circular cutting blade	06501-06001	1 pcs
Washer	06501-06002	1 pcs
Knurled screw	06501-06008	1 pcs
Plastic support	06601-07014	1 pcs

### For product 06-601 the following parts will be added:

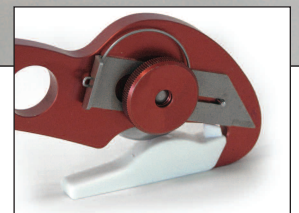
Extendable knife	06601-07020	1 pcs
Spring	06601-07021	1 pcs
Knurled nut	06601-07022	1 pcs

### Recycling

The plastic support should be recycled as hard plastic. All anodized parts, the handle and the washer and the knurled nut should be recycled as aluminum. Glossy parts such as the circular cutting blade, the extendable knife and the knurled screw should be recycled as stainless steel.



Model 06-601 / 07-701



Model 06-601 with slitting function

### Manufacturer

ES Equipment AB  
Medicinaregatan 8A  
Sahlgrenska Science Park  
SE-413 46 Gothenburg, Sweden